

## **IMPORTANT:**

The product is powered by electricity. In order to avoid burns, fire and electric shock, please read the instructions carefully. Failure to read, thoroughly understand, and follow all instructions can result in serious personal injury, damage to equipment, or voiding of factory warranty. Should you ever have any questions or feel you require help please contact your place of purchase for assistance.

### **Instructions of Safety and Warnings**

- Make sure that the mounting surface is strong enough to handle mounted product and equipment.
- **DO NOT EXCEED MAXIMUM LISTED WEIGHT CAPACITY.**
- Always use an assistant or a mechanical lifting device to safely lift and position heavy products.
- Tighten screws firmly, but do not over tighten. Over tightening can cause product damage that greatly reduces the holding power.
- Keep a clear area and distance from moving parts when using the product.
- Use only as intended. Never stand, hang or climb on the product.
- This product is intended for indoor use only.
- Any attempts to reconstruct the construction or alterations of the given power unit and control box aren't allowed.
- This product may contain small items that could be a choking hazard if swallowed. Keep children away unless the product is intended for their use and all instructions and manuals are fully reviewed and understood by them.
- Check that the product is secure and safe to use at regular intervals (at least every three months).

### **Other Cautions**



Don't clean the product with water while the power is still connected.



Don't disassemble or replace components while the power is still connected.



Never operate the system with a damaged cord or plug.



Never operate the system if it's in moist environment or its electrical components have contact with liquids.



If the control box makes unusual noise or smells, switch off the mains voltage immediately.



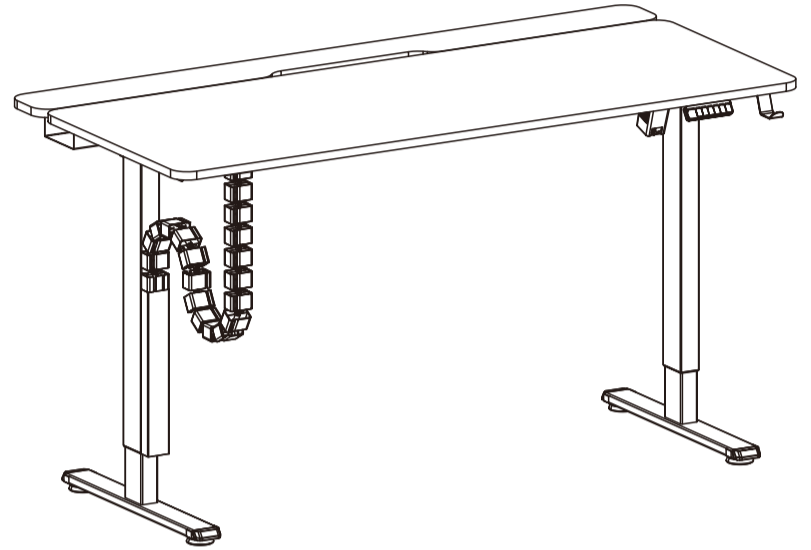
**Disposal:** The product with this mark indicates that this product shouldn't be disposed with other household wastes throughout the EU. To prevent possible harm to the environment or human health from uncontrolled waste disposal, recycle it responsibly to promote the sustainable reuse of material resources. To return your used device, please use the local recycle service or contact your point of purchase to withdraw the product.

# **ELECTRIC SIT-STAND DESK**

## **with Cable Management Tray & Spine**

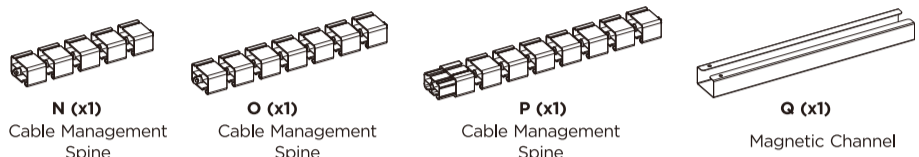
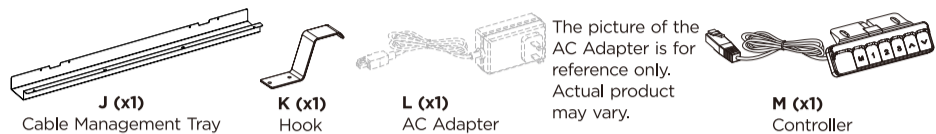
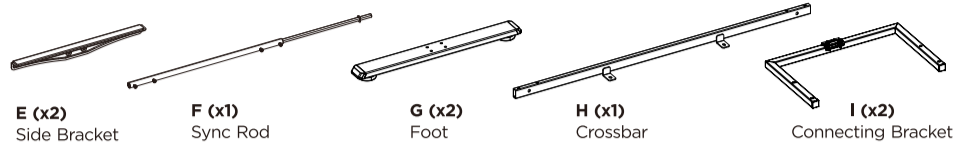
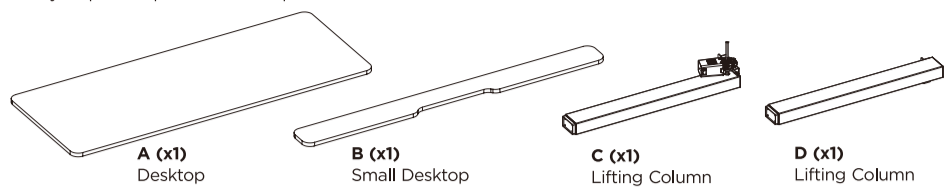
### Instruction Manual

**86115-S14-22RE-B-T01**

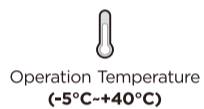


## Checklist and Installation

Please check all of the components shown in the component checklist. If any of the components are missing or damaged, contact your point of purchase for a replacement.



What important specifications should know before installation?

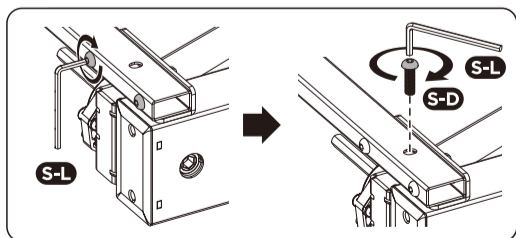
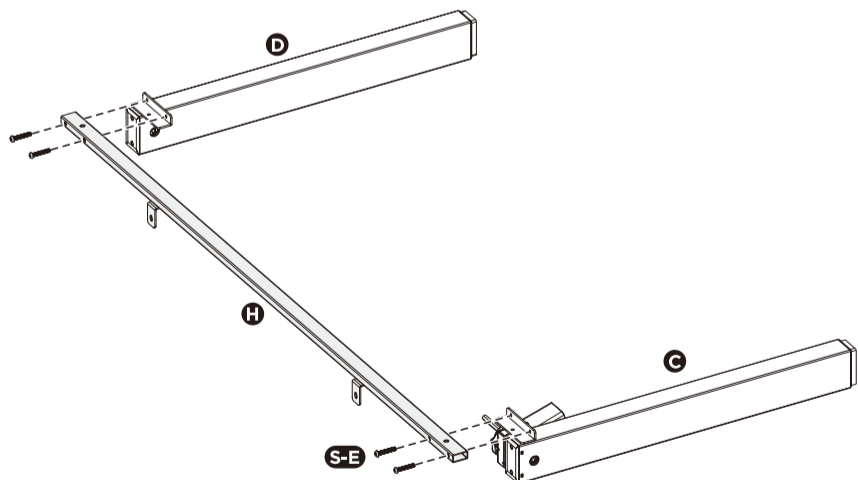


What tools are needed to assemble the desk frame?



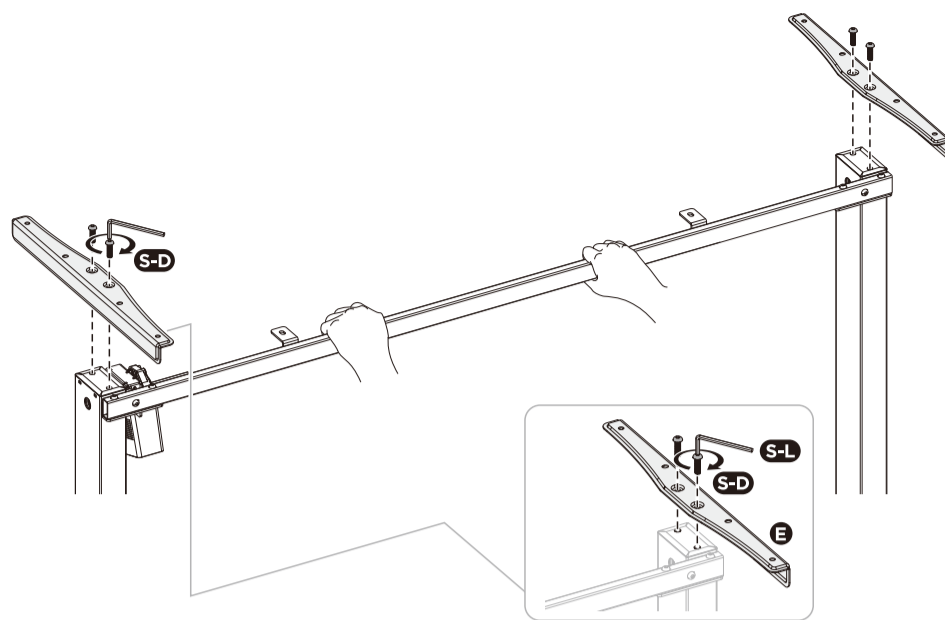
### 1. Attaching the Crossbar

- Attach the Crossbar **H** to the Lifting Columns **C / D** using 4 M6x35 Screws **S-E** and 2 M6x20 Screws **S-D** as shown in the illustration.



### 2. Attaching the Side Brackets

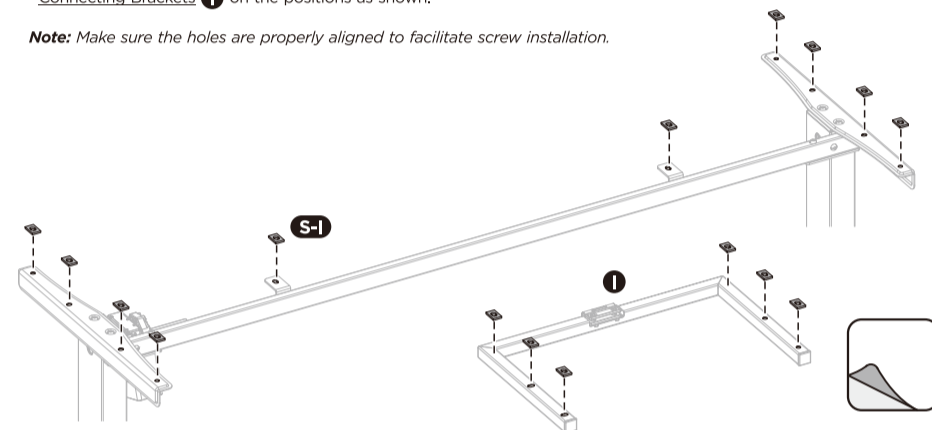
- Attach the Side Bracket **E** to the Lifting Column using 4 M6x20 Screws **S-D**.



### 3. Attaching the Anti-Vibration Pads

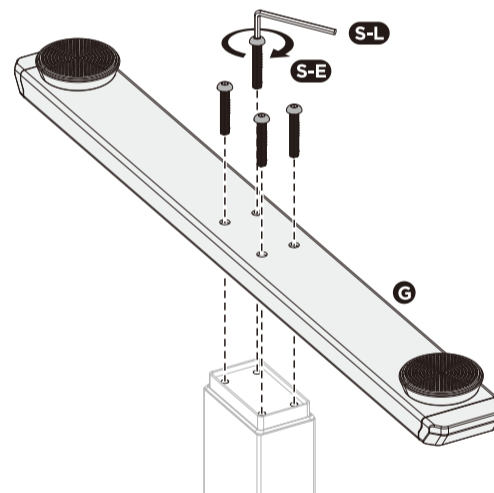
- Attach the Anti-Vibration Pads **S-I** to the surface of the crossbar and Connecting Brackets **I** on the positions as shown.

**Note:** Make sure the holes are properly aligned to facilitate screw installation.



### 4. Attaching the Feet

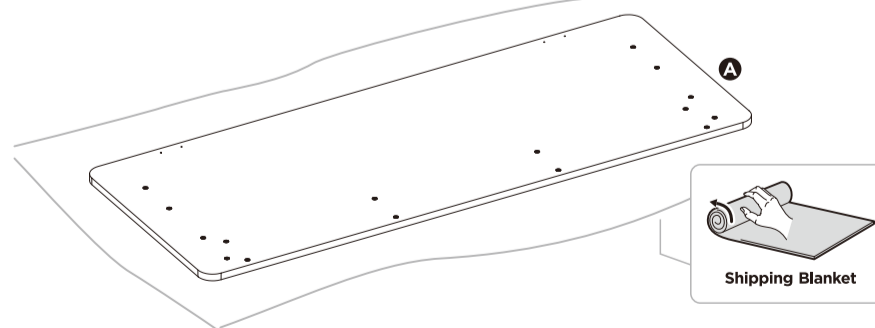
- Place the Lifting Columns **C / D** upside down on the floor.
- Attaching the Foot **G** to the Lifting Column using 4 M6x35 Screws **S-E**.
- Repeat the same process to attach the other foot.



### 5. Assembling the Desktop

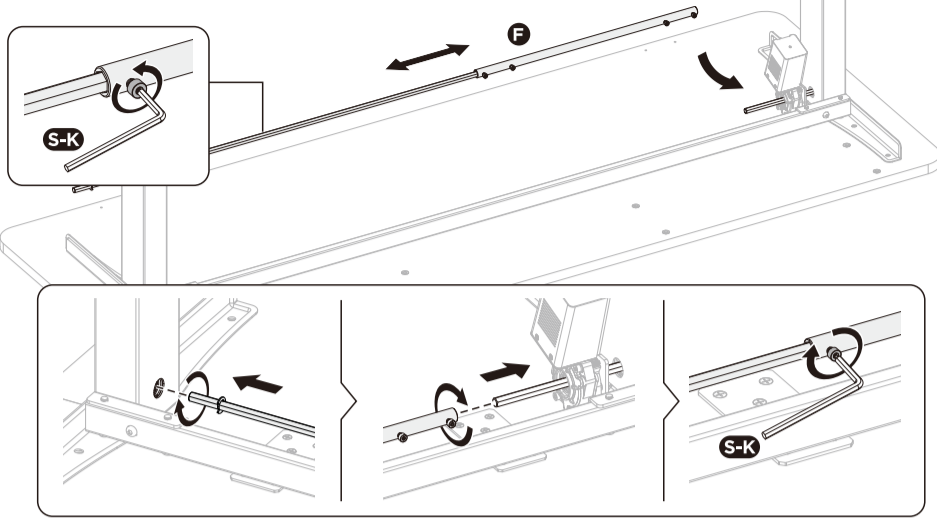
- Carefully place the Desktop **A** upside down on the floor as shown.

**Note:** Please make sure the desktop keep facing down while installation.



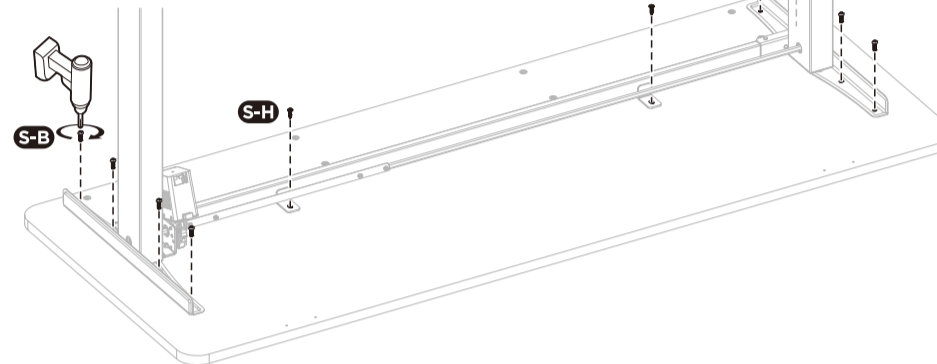
## 6. Attaching the Sync Rod

- Loosen the 4 screws on the **Sync Rod (F)** and insert both ends of Sync Rod into holes found on the desk frame as shown in the illustration.
- Re-tighten the 4 screws of the assembled Sync Rod.



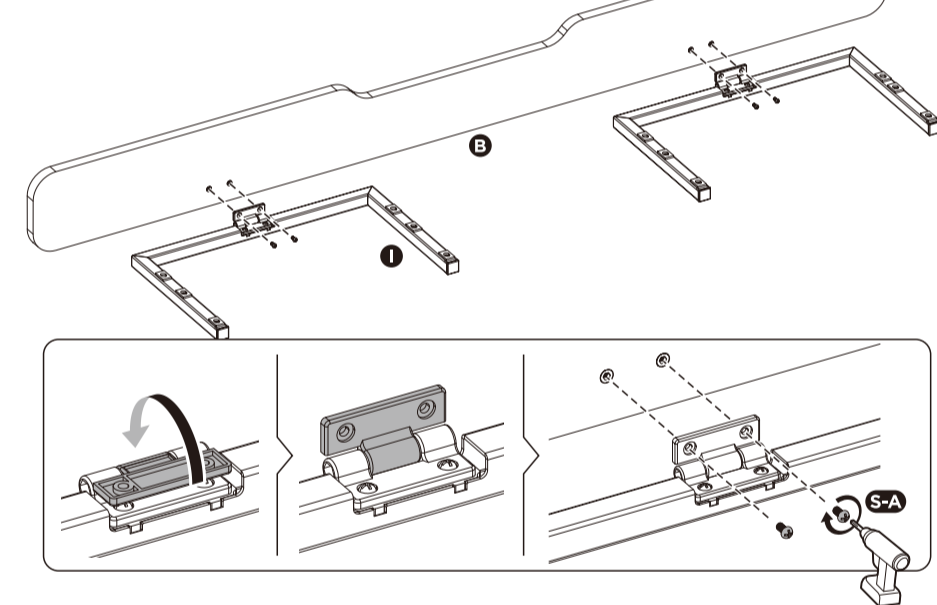
## 7. Attaching to the Desktop

- Attaching the assembled desk frame to the desktop through the mounting holes found on the Side Brackets and Crossbar as shown in the illustration using 8 M6x16 Screws (S-B) and 2 ST4.2x16 Screws (S-H).



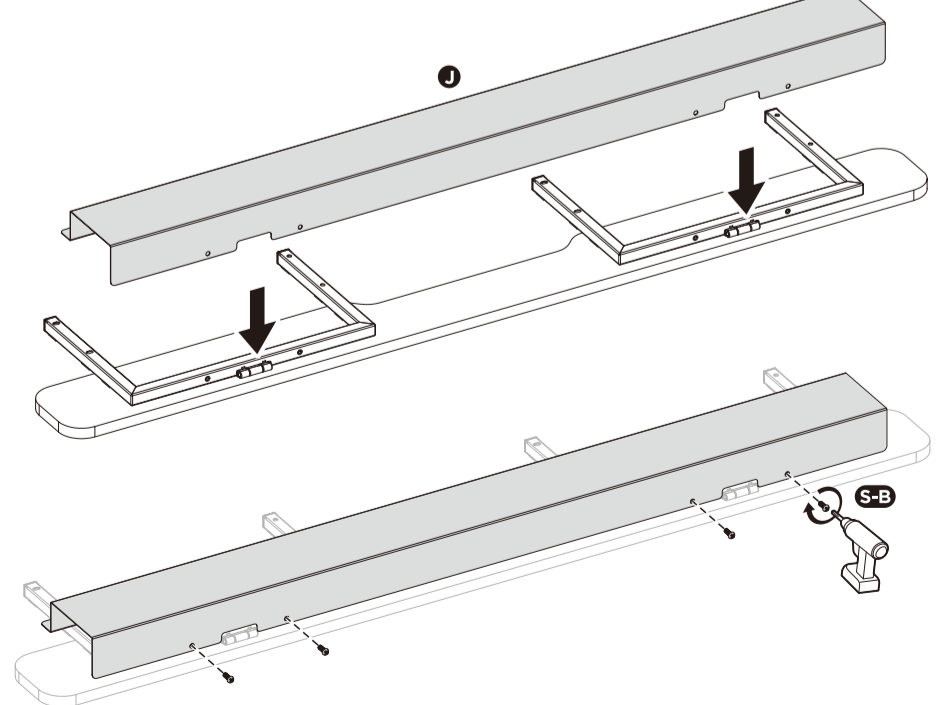
## 8. Assembling the Small Desktop

- Attach the two **Connecting Brackets (I)** to the **Small Desktop (B)** using 4 M4x8 Screws (S-A).



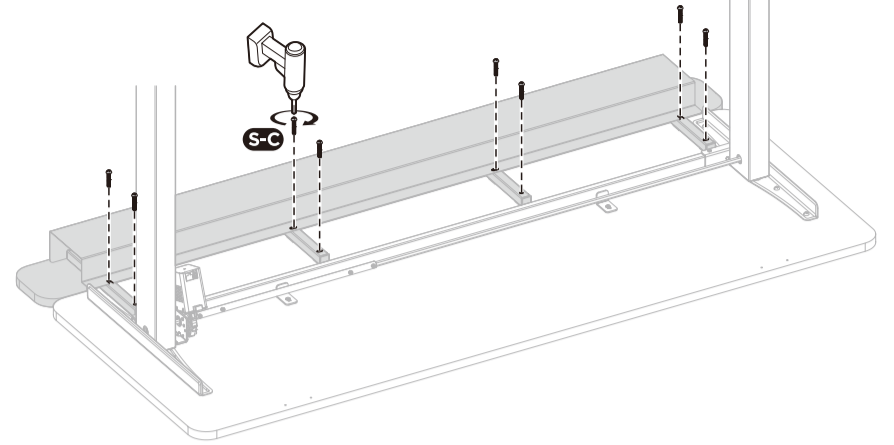
## 9. Attaching the Cable Management Tray

- Place the Small Desktop upside down, align the holes on the **Cable Management Tray (J)** with the Connecting Brackets as shown.
- Attach the Cable Management Tray to the Connecting Brackets using 4 M6x16 Screws (S-B).



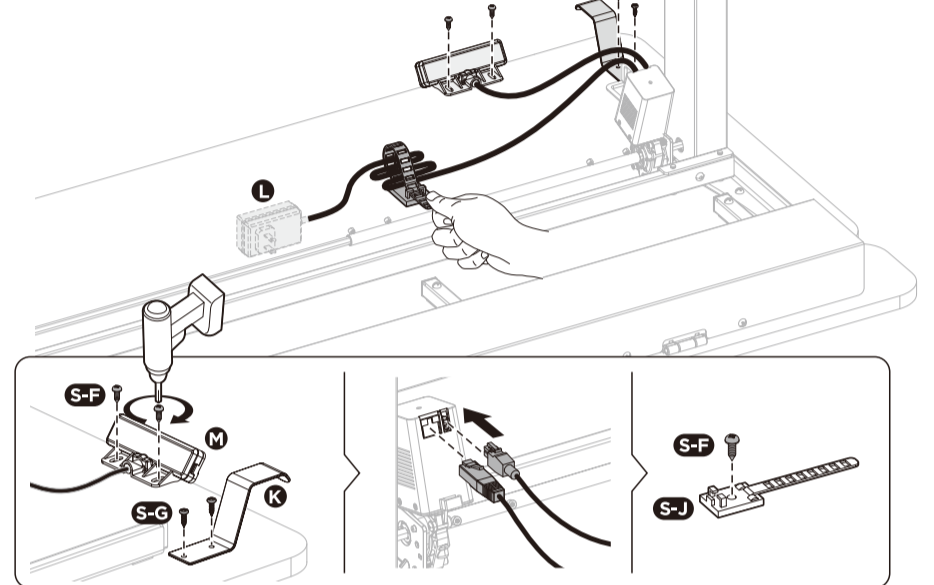
## 10. Attaching the Small Desktop

- Attach the Small Desktop to the Desktop using 8 M6x35 Screws (S-C).



## 11. Attaching the Controller, Hook and Cable Tie

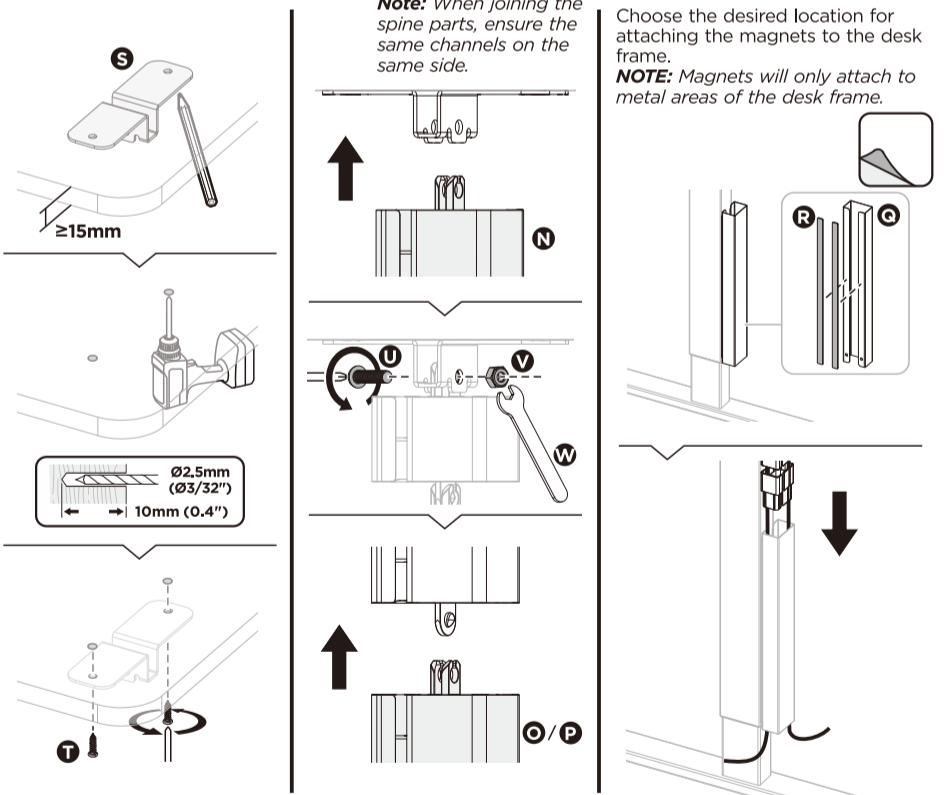
- Attach the **Controller (M)** to the desktop using 2 ST4.2x13 Screws (S-F). Attach the **Hook (K)** to the desktop using 2 ST4.2x14 Screws (S-G).
- Connect the Controller with the **AC Adapter (L)** and motor as shown.
- Note:** Do not plug into the power before the desk is fully assembled.
- Run the cable through the **Cable Tie (S-J)** and attach the Cable Tie to the desktop with ST4.2x13 Screws (S-F) to ensure clean and neat surface.



## 12. Attaching the Cable Management Spine

- Turn the desk over.
- Attach the **Mounting Plate (S)** to the desktop using 2 ST4.2x13 Screws (T), then attaching the Cable Management Spine parts as shown.

**CAUTION:** At least two people are required when turning over the desk, or serious bodily injuries might occur.



## 13. Adjusting the Desk

- There are two adjustable foot pads under each foot. If the floor isn't even, simply turn the pad to adjust the level to make the desk stable.

**Tip:** Use a bubble level (not included) to check if the desktop is even.

