

Instructions of Safety and Warnings:

- Any failure to comply with the safety and installation instructions in this manual may cause serious bodily injury.
- Overlooking any part of the instructions, warnings and additional information marked with the "Note" and "⚠" may result in serious damage to the system or its components.
- Children should never be allowed to operate or touch the product without direct supervision of an adult. Users should prevent children from being near or around the desk during operation.
- Disabilities and/or lack of experience and knowledge should be prevented from using the product unless under supervision or assisted during use and operation.
- Never sit on or exceed the rated weight of the desk.



Electrical Safety Instructions:

The product is powered by electricity. In order to avoid burns, fire and electric shock, please read the instructions carefully.



Don't clean the product with water while the power is still connected.



Never operate the system if it's in moist environment or its electrical components have contact with liquids.



Don't disassemble or replace components while the power is still connected.



Don't operate the system if the control box makes noise or odor. Alterations of the given power unit and control box aren't allowed.



Never operate the system with a damaged cord or plug. Please contact your point of purchase to replace the damaged parts.



Other Safety Instructions:

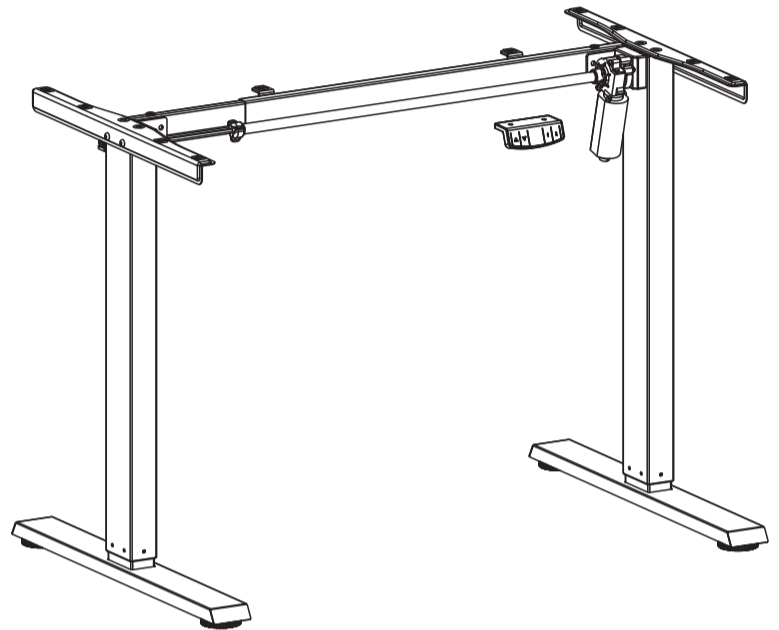
- Remove any obstacles from the area around the desk during assembly and subsequent use.
- Organize all cords and wires to prevent any possible tripping or accidents from occurring.
- Never attempt to modify or change the desk frame or components that operate the desk.
- Don't add anything to the adjustable junctions of the desk frame.
- The desk is rated for Indoor Use Only.



Disposal: The product with this mark indicates that this product shouldn't be disposed with other household wastes throughout the EU. To prevent possible harm to the environment or human health from uncontrolled waste disposal, recycle it responsibly to promote the sustainable reuse of material resources. To return your used device, please use the local recycle service or contact your point of purchase to withdraw the product.

MD-252R-W SINGLE MOTOR SIT-STAND DESK

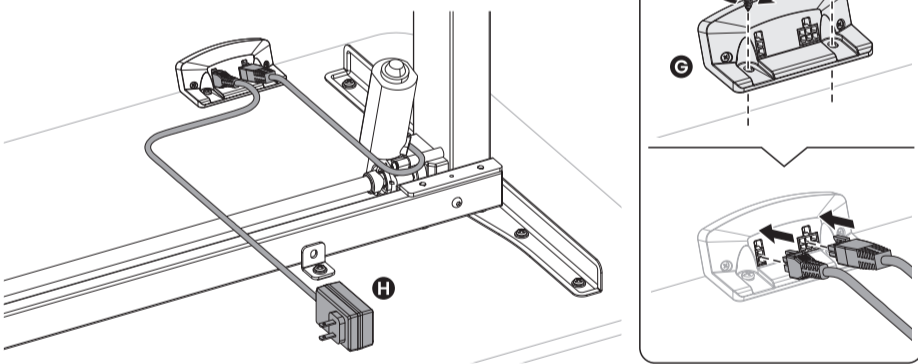
User manual



8. Attaching the Controller and Connecting Cords

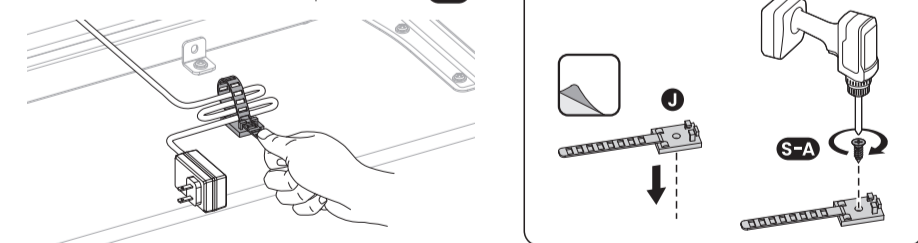
- Connect the Controller **G** with the AC Adapter **H** and motor.
- Attach the Controller to the desktop using Screws **S-C**.

Note: Do not plug into the power before the desk is fully assembled.



9. Cable Management

- Organize the cables using the Cable Ties **J**.
- Attach the Cable Ties to the desktop with Screws **S-A**.

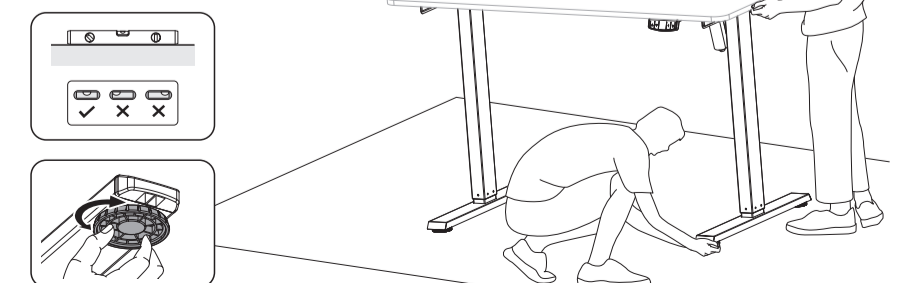


10. Adjusting the Desk

- If the floor isn't even, simply rotate the pad to adjust the level to make the desk stable.

Tip: Use a bubble level (not included) to check if the desktop is even.

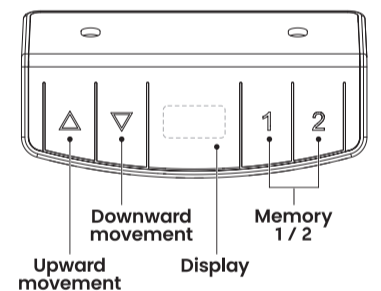
CAUTION: At least two people are required when turning over the desk, or serious bodily injuries might occur.



Control Panel For Electric Height Adjustable Desk User Guide

Operation Instruction

When the system is powered on (100-240VAC), the existing desktop height will be displayed on the controller. If the height displayed is not the same as the actual height, the user will need to reset the system before use.



1. Reset the System

When "E10" / "E20" appears or the desk reaches the lowest position, press and hold the "▽" button for 3 seconds. Release the button when "RES" appears. The desk will move downward to the bottom, then rebound slightly upward. Once the reset is complete, the display will show the lowest height.

2. Height Adjustment

Press and hold the "△" / "▽" button to lift/lower the desk to your desired height.

3. Memory Setting

To store a memory position, press and hold the "1" / "2" button for over 2 seconds. The display flashes "H1/H2", indicating that the height has been saved. To recall a previously stored position, simply press the "1" / "2" button, and the desk will automatically move to the saved height.

4. Collision Avoidance Sensitivity Setting

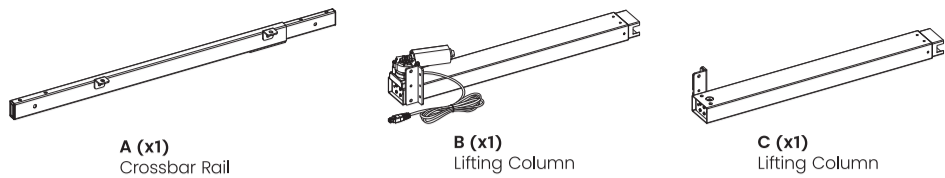
When the current desk height is displayed, simultaneously press and hold the "1" and "2" buttons for over 2 seconds. The display will begin flashing to show the current collision avoidance sensitivity level (OFF, L-Low, N-Normal, H-High). The display will return to showing the current height after 3 seconds of inactivity or when any button is pressed during flashing. Repeat the above operation to adjust the sensitivity level.

Troubleshooting

Error No.	Description	Solution
E02	The collision avoidance system is activated. (If the desk vibrates, collides, or tilts during movement, it will stop immediately and display "E02".)	It will automatically move in the opposite direction to release pressure and clear the error. Alternatively, pressing any button during the reverse motion will also stop and clear the alert. Before resuming operation, ensure the desk is not shaking, obstructed, or tilted.
HOT	Overheat protection (Prolonged continuous use)	Disconnect the power. Or wait at least 18 minutes before using it again.
E10	Motor error	Disconnect the power, check the motor and controller connection, and reconnect the power.
E20	Overload protection	If it occurs while moving up, remove some weight from the desktop and try again. If it occurs while moving down, disconnect the power, reduce the load.

Checklist and Installation

Please check all of the components shown in the component checklist. If any of the components are missing or damaged, contact your point of purchase for a replacement.



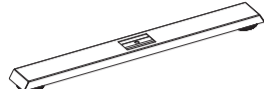
A (x1)
Crossbar Rail

B (x1)
Lifting Column

C (x1)
Lifting Column



D (x2)
Side Bracket



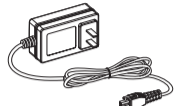
E (x2)
Foot



F (x1)
Sync Rod



G (x1)
Controller



H (x1)
AC Adapter



I (x10)
Anti-Vibration Pad



J (x2)
Cable Tie



K (x1)
2mm
Allen Wrench



L (x1)
4mm
Allen Wrench



M (x1)
5mm
Allen Wrench



S-A (x2)
ST4.2x9.5
Screw



S-B (x10)
ST4.2x12
Screw



S-C (x2)
ST4.8x13
Screw



S-D (x8)
M6x14
Screw



S-E (x2)
M6x25
Screw



S-F (x4)
M6x45
Screw



S-G (x2)
M8x30
Screw

What important specifications should know before installation?

Power Input
(100~240V)

Operation Temperature
(-5°C~+40°C)

Weight Capacity
80kg (176lbs)

What tools are needed to assemble the desk frame?

Allen Wrench
(Included)

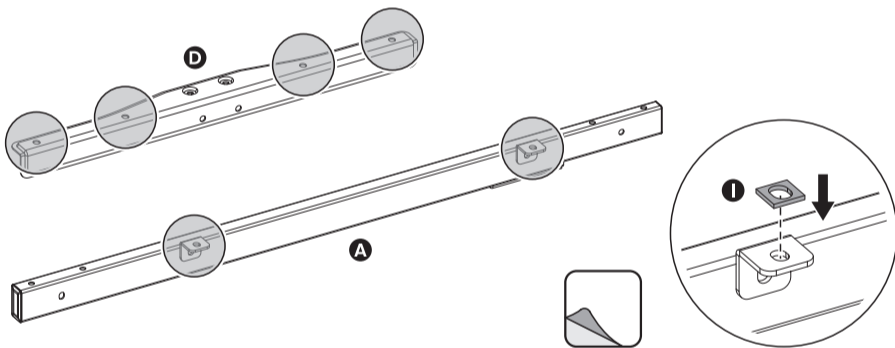
Phillips
Screwdriver

Drill

Bubble Level

1. Attaching Anti-Vibration Pads

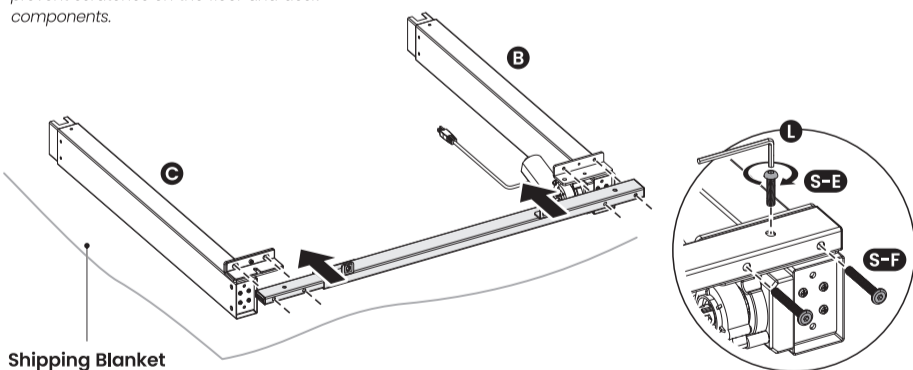
- Stick Anti-Vibration Pads **I** onto the Crossbar Rail **A** and Side Brackets **D** as shown.



2. Attaching the Crossbar Rail

- Attach the Crossbar Rail to the Lifting Columns **B** and **C** by tightening the Screws **S-E** and **S-F** using the Allen Wrench **L**.

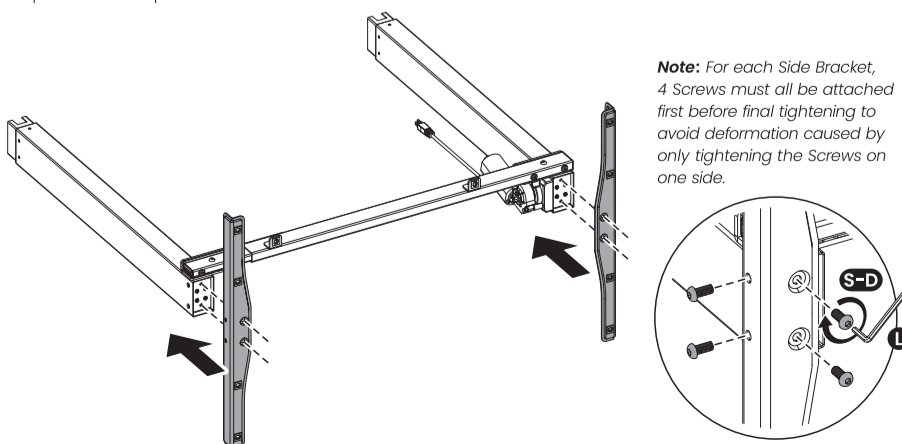
Note: Please prepare a shipping blanket to prevent scratches on the floor and desk components.



Shipping Blanket

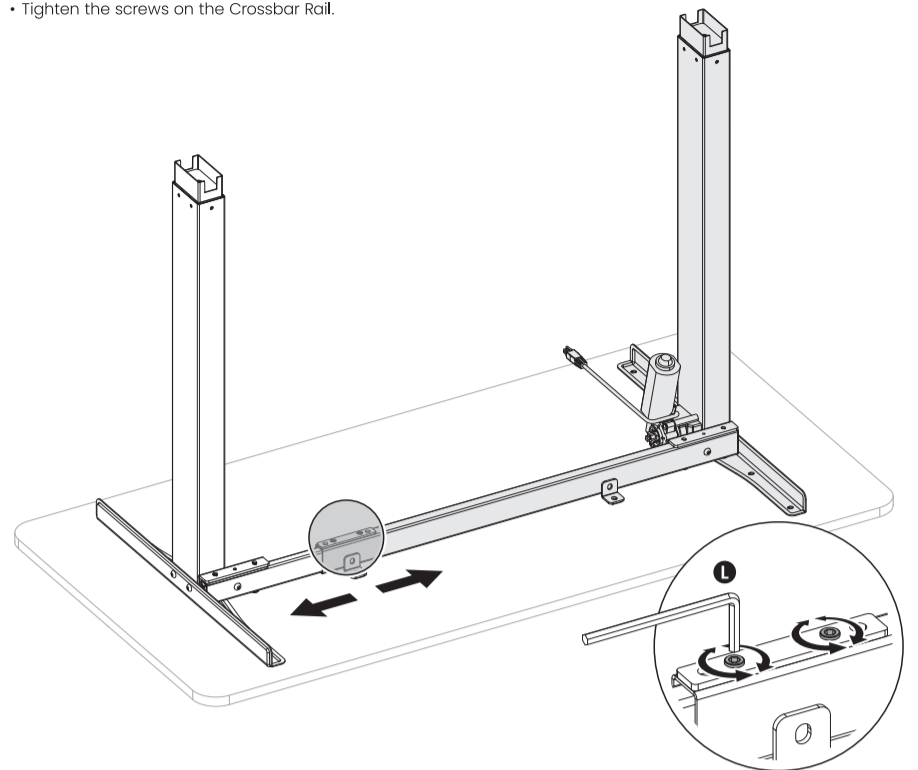
3. Attaching the Side Brackets

- Attach the Side Bracket to the Lifting Column by tightening the Screws **S-D** using the Allen Wrench **L**.
- Repeat the same process to attach the other Side Bracket.



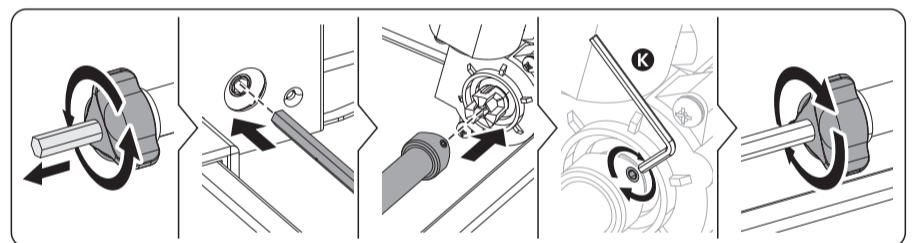
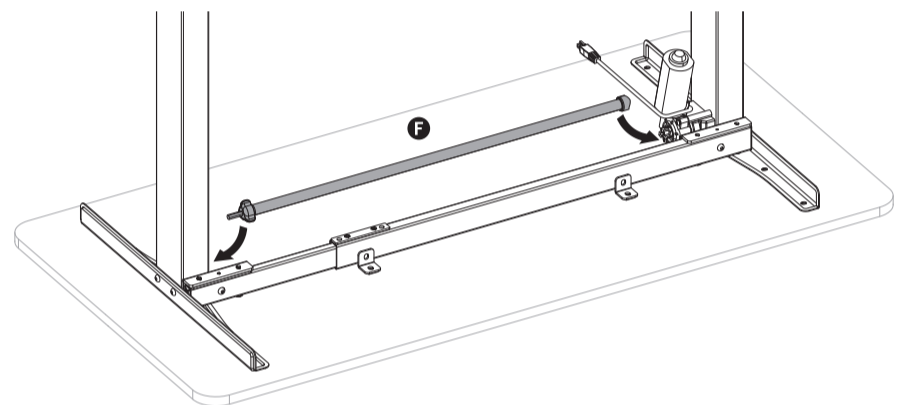
4. Adjusting the Frame

- Carefully place the desktop (not included) upside down on the blanket/floor.
- Place the frame on the desktop as shown below.
- Adjust the Crossbar Rail to the size of the desktop. Ensure that the frame is placed in the center of the desktop.
- Tighten the screws on the Crossbar Rail.



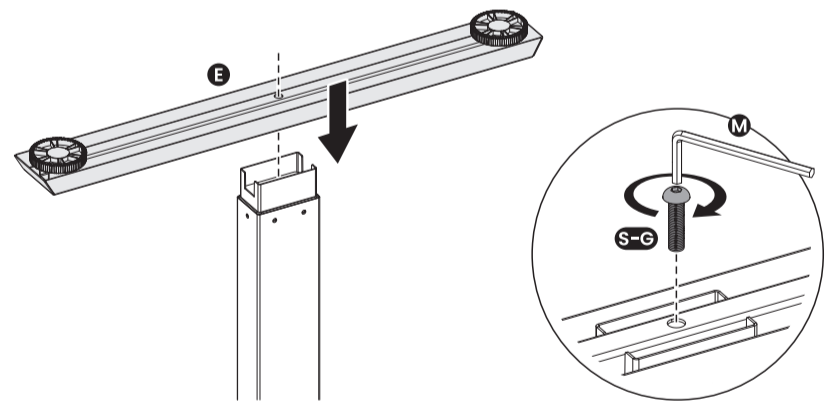
5. Attaching the Sync Rod

- Insert the thin end of the Sync Rod **F** into the Lifting Column **C**.
- Attach the other end of the Sync Rod to the motor spindle on the Lifting Column **B**.



6. Attaching the Feet

- Attach the Foot **E** to the Lifting Column by tightening the Screws **S-G** using the Allen Wrench **M**.
- Repeat the same process to attach the other Foot.



7. Attaching the Desktop

- Align the mounting holes on the desktop, Side Brackets and Crossbar Rail, then attach the assembled desk frame to the desktop with Screws **S-B** using a drill.

