






## Instructions of Safety and Warnings:

- Any failure to comply with the safety and installation instructions in this manual may cause serious bodily injury.
- Overlooking any part of the instructions, warnings and additional information marked with the "Note" and "⚠" may result in serious damage to the system or its components.
- Children should never be allowed to operate or touch the product without direct supervision of an adult. Users should prevent children from being near or around the desk during operation.
- Disabilities and/or lack of experience and knowledge should be prevented from using the product unless under supervision or assisted during use and operation.
- Never sit on or exceed the rated weight of the desk.


### ⚠ Electrical Safety Instructions:

The product is powered by electricity. In order to avoid burns, fire and electric shock, please read the instructions carefully.

-  Don't clean the product with water while the power is still connected.
-  Never operate the system if it's in moist environment or its electrical components have contact with liquids.
-  Don't disassemble or replace components while the power is still connected.
-  Don't operate the system if the control box makes noise or odor. Alterations of the given power unit and control box aren't allowed.
-  Never operate the system with a damaged cord or plug. Please contact your point of purchase to replace the damaged parts.

### ⚠ Other Safety Instructions:

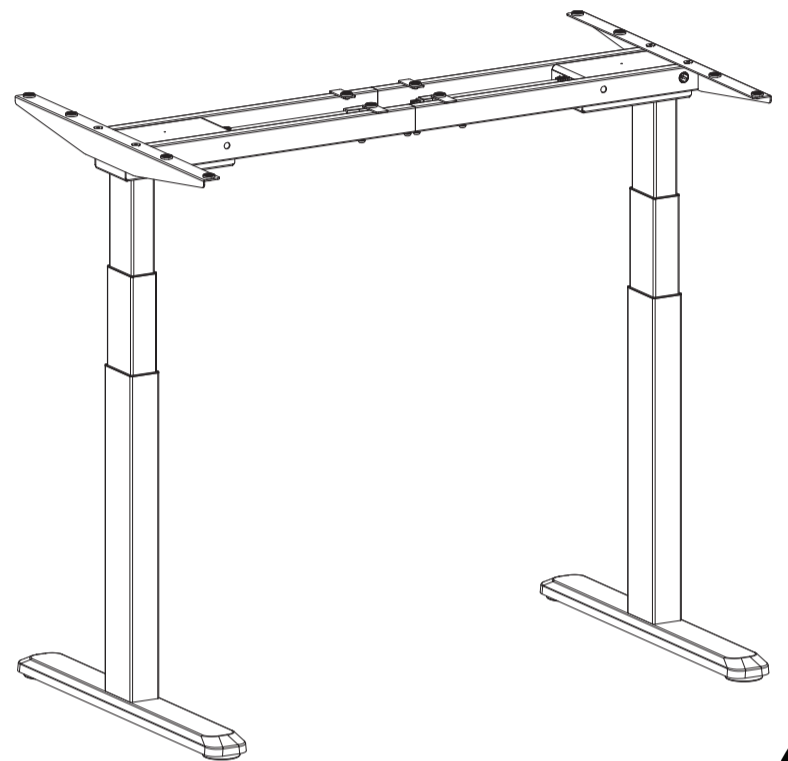
- Remove any obstacles from the area around the desk during assembly and subsequent use.
- Organize all cords and wires to prevent any possible tripping or accidents from occurring.
- Never attempt to modify or change the desk frame or components that operate the desk.
- Don't add anything to the adjustable junctions of the desk frame.
- The desk is rated for Indoor Use Only.

 **Disposal:** The product with this mark indicates that this product shouldn't be disposed with other household wastes throughout the EU. To prevent possible harm to the environment or human health from uncontrolled waste disposal, recycle it responsibly to promote the sustainable reuse of material resources. To return your used device, please use the local recycle service or contact your point of purchase to withdraw the product.

# MD-172D

## DUAL MOTOR SIT-STAND DESK

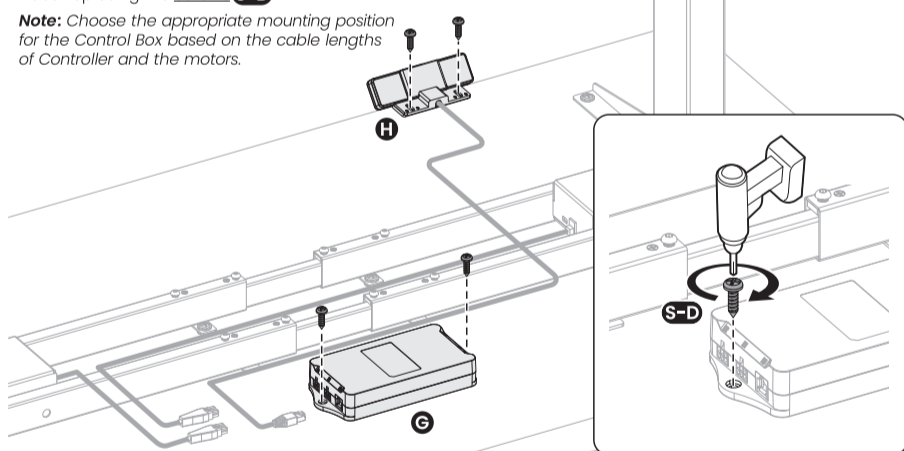
User manual



### 6. Attaching the Control Box and Controller

- Attach the **Control Box (G)** and the **Controller (H)** to the desktop using the **Screws (S-D)**.

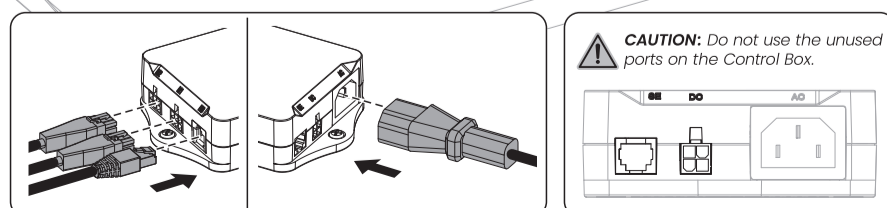
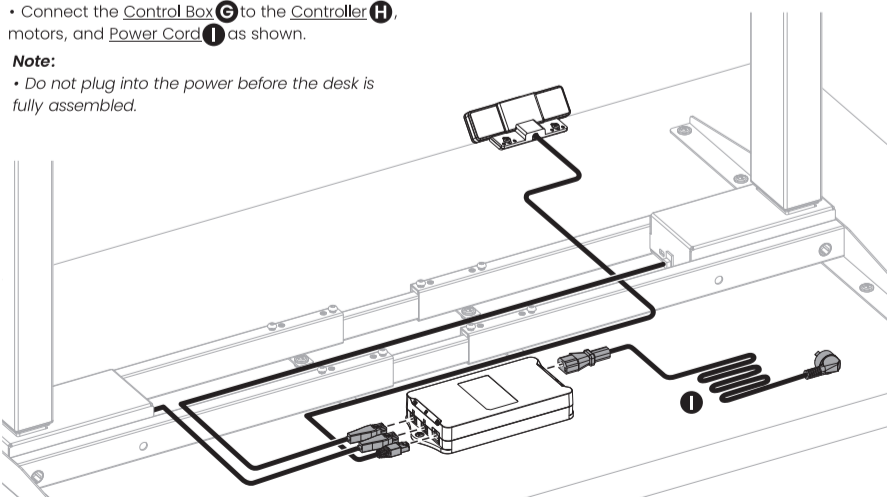
**Note:** Choose the appropriate mounting position for the Control Box based on the cable lengths of Controller and the motors.



### 7. Connecting Cords

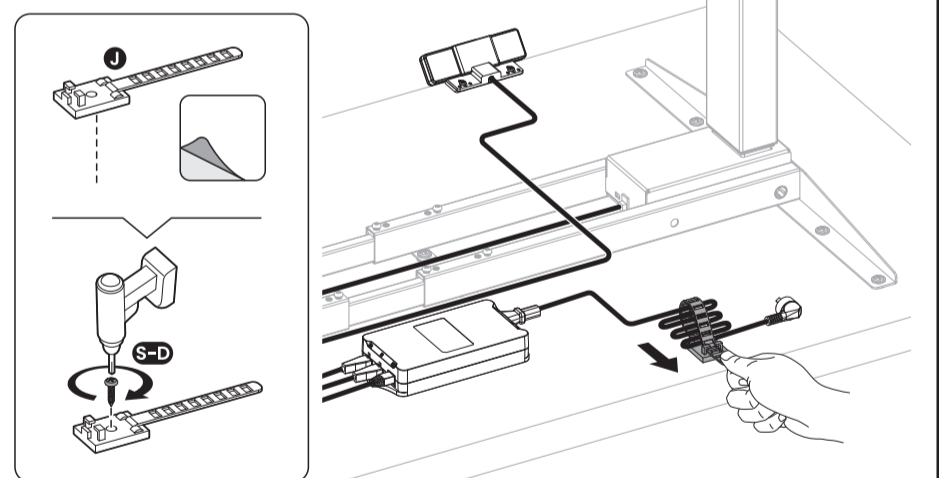
- Connect the **Control Box (G)** to the **Controller (H)**, motors, and **Power Cord (I)** as shown.

**Note:**  
• Do not plug into the power before the desk is fully assembled.



### 8. Cable Management

- Run the cables through the **Cable Ties (J)** and attach the Cable Ties to the desktop with **Screws (S-D)** to ensure clean and neat surface.

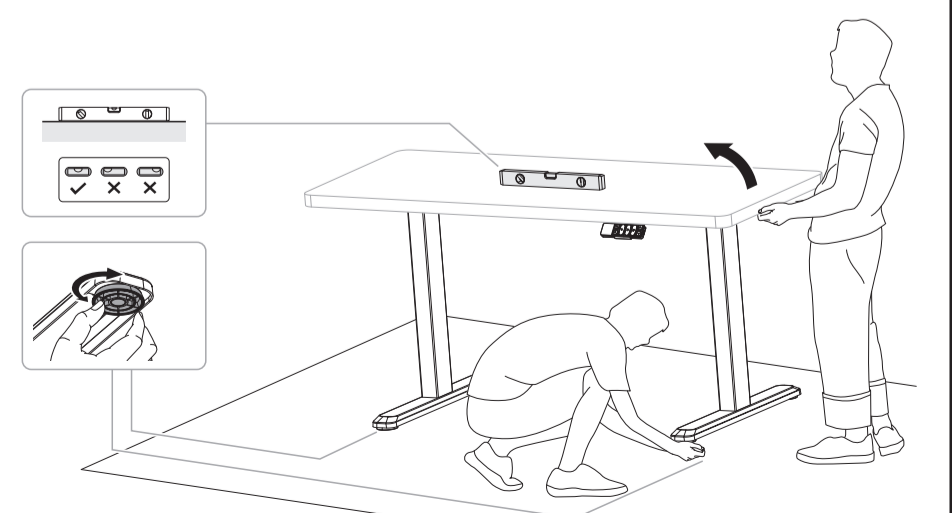


### 9. Adjusting the Desk

- If the floor isn't even, simply rotate the pad to adjust the level to make the desk stable.

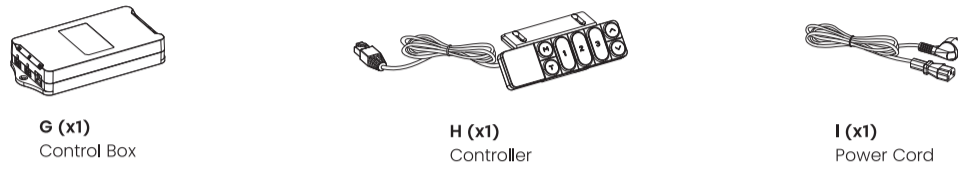
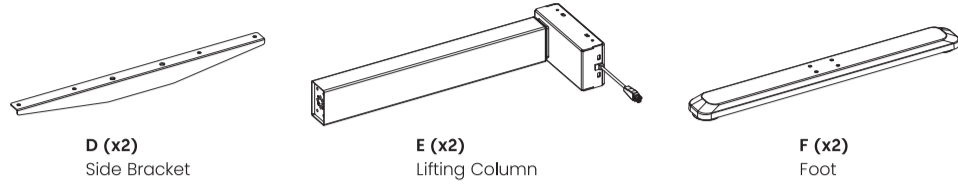
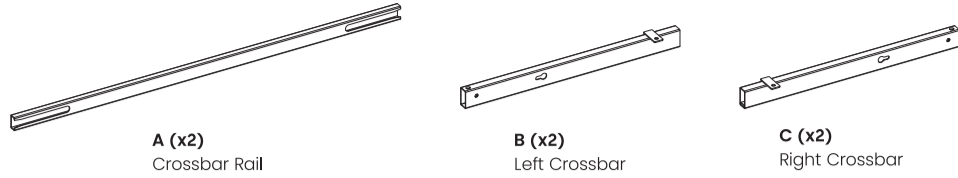
**Tip:** Use a bubble level (not included) to check if the desktop is even.

**CAUTION:** At least two people are required when turning over the desk, or serious bodily injuries might occur.



## Checklist and Installation

Please check all of the components shown in the component checklist. If any of the components are missing or damaged, contact your point of purchase for a replacement.



What important specifications should know before installation?

Power Input  
(100~240V)

Operation Temperature  
(-5°C~+40°C)

Weight Capacity  
180kg (396lbs)

What tools are needed to assemble the desk frame?

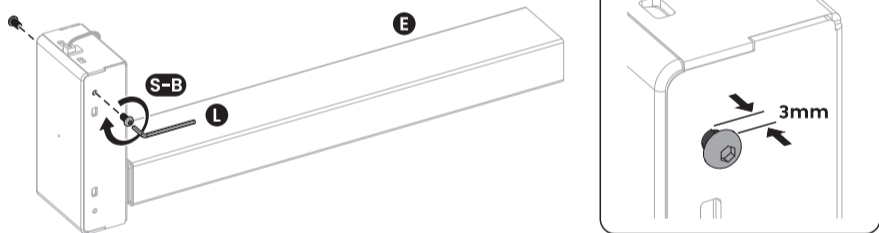
Bubble Level

Allen Wrench  
(Included)

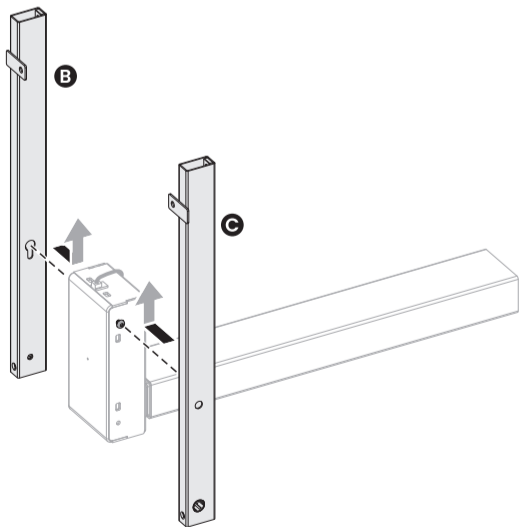
Drill

### 1. Attaching the Crossbars

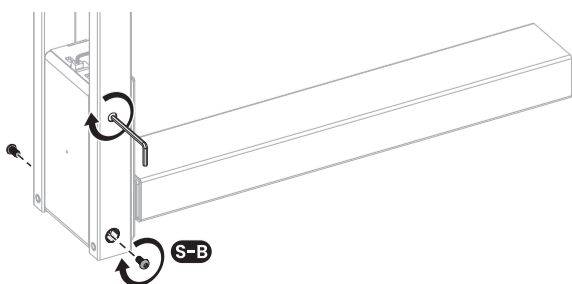
- Attach Screws **S-B** to the **Lifting Columns E** using **Allen Wrench L**, but do not fully tighten them. Leave a 3mm gap between the screw head and the column.



- Attach the **Left Crossbar B** and the **Right Crossbar C** to the **Lifting Column** as shown below.

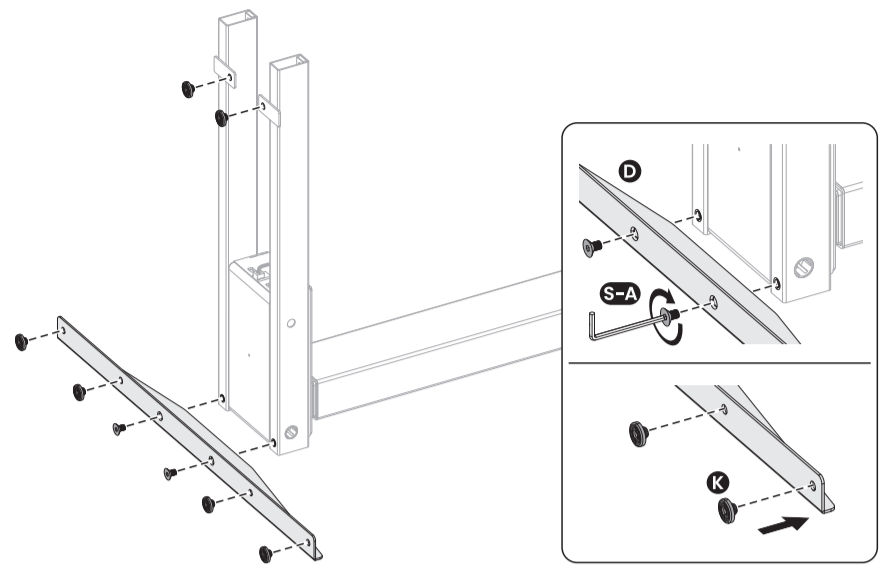


- Secure the crossbars using Screws **S-B** and tighten all the screws on the crossbar using the **Allen Wrench L**.
- Repeat the same process to attach and secure the other 2 crossbars.



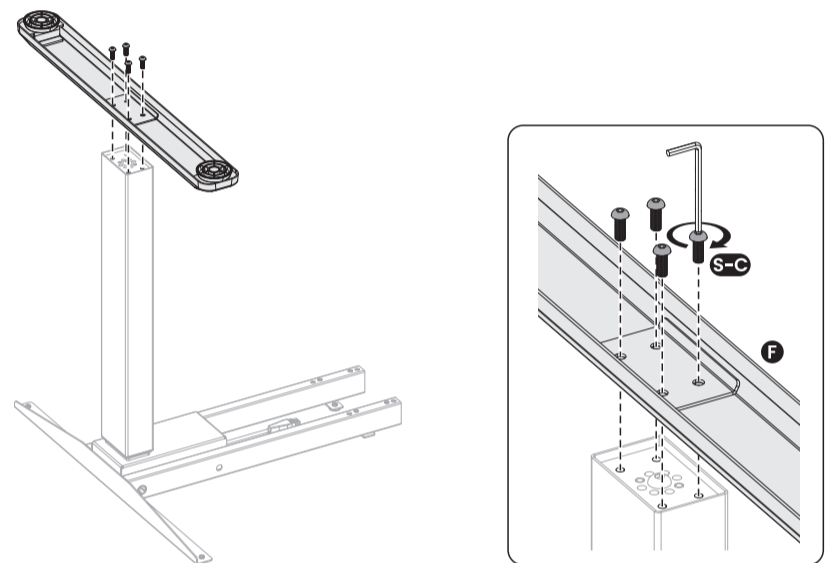
### 2. Attaching the Side Brackets

- Attach **Side Bracket D** to the **Lifting Column** using **Screws S-A**.
- Attach 6 **Anti-Vibration Pads K** to the crossbars and **Side Bracket D** as shown below.
- Repeat the same process to attach the other side bracket.



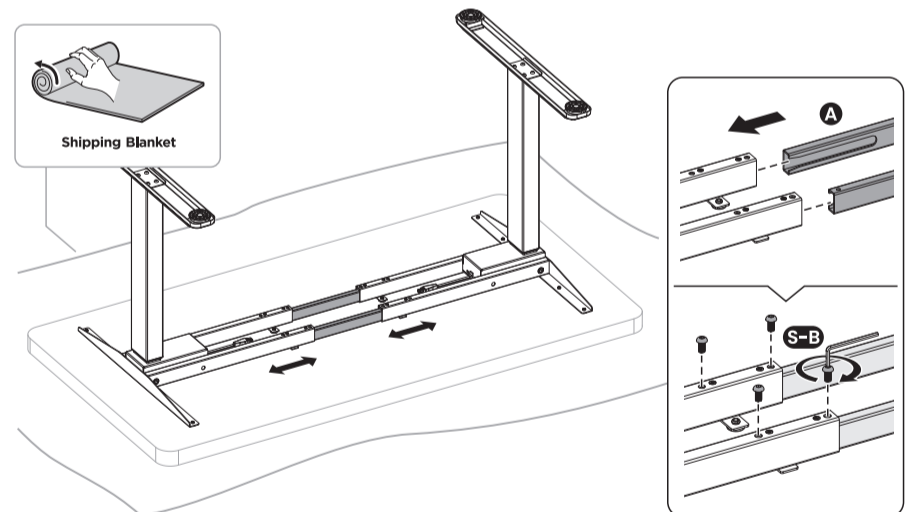
### 3. Attaching the Feet

- Attaching the **Foot F** to the **Lifting Column** using **Screws S-C**.
- Repeat the same process to attach the other foot.



### 4. Adjusting the Frame and Attaching the Crossbar Rail

- Carefully place the **desktop** (not included) upside down on the **blanket/floor**.
- Place the legs one on each side of the top as shown below.
- Adjust the **crossbar** to the size of the **desktop**. Ensure that the frame is placed in the center of the **desktop**.
- Attach the **Crossbar Rails A** as shown below.
- Secure the frame using **Screws S-B**.



### 5. Drilling to the Desktop

- Attach the assembled desk frame to the **desktop** by **drilling** through the mounting holes found on the **side brackets** and **crossbars** with **Screws S-E** as shown.

