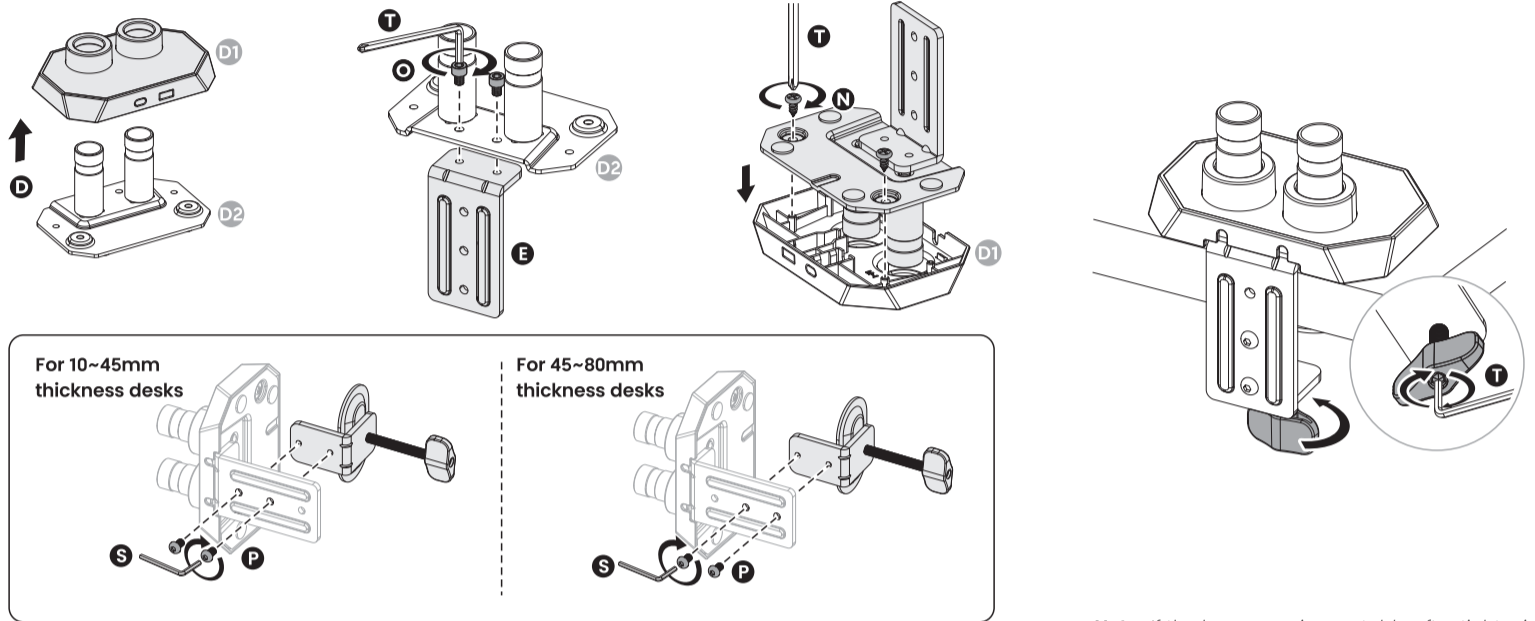


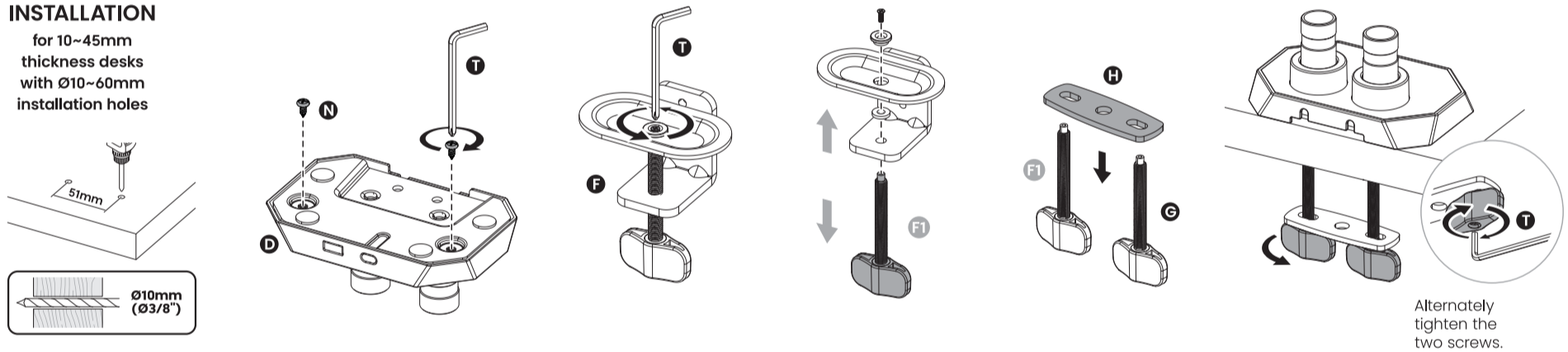
1

**CLAMP
INSTALLATION**
for 10~80mm
thickness desks

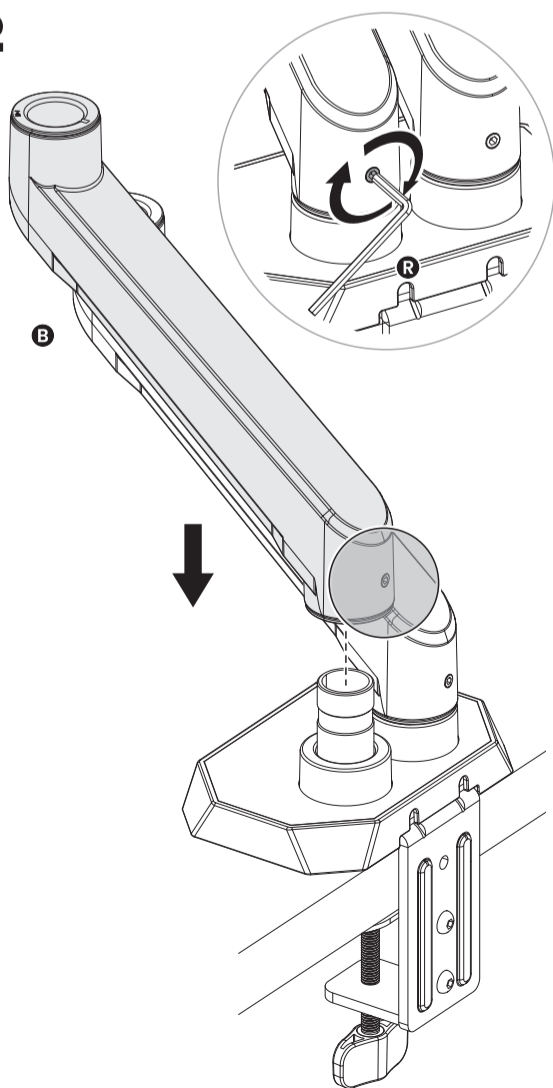


Note: If the base remains unstable after tightening the knob, use the Allen Key to further tighten the screw inside the knob.

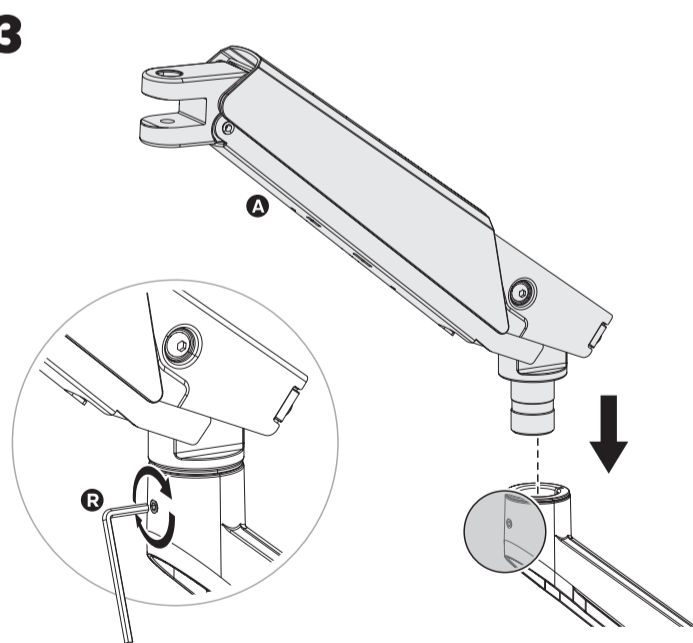
**GROMMET
INSTALLATION**
for 10~45mm
thickness desks
with Ø10~60mm
installation holes



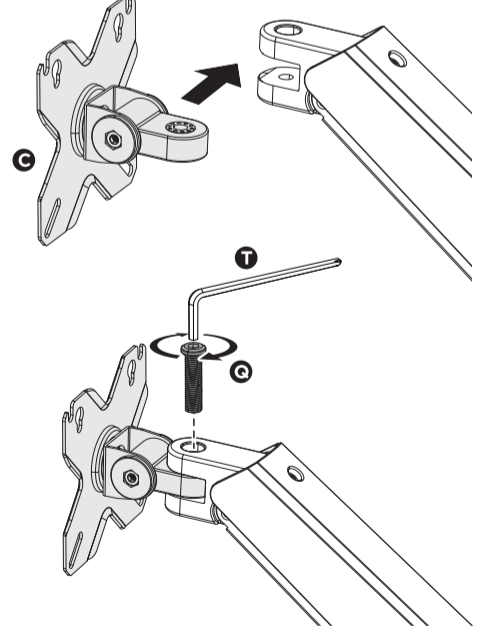
2



3



4



5

