

IMPORTANT:

The product is powered by electricity. In order to avoid burns, fire and electric shock, please read the instructions carefully. Failure to read, thoroughly understand, and follow all instructions can result in serious personal injury, damage to equipment, or voiding of factory warranty. Should you ever have any questions or feel you require help please contact your place of purchase for assistance.

Instructions of Safety and Warnings

- Make sure that the mounting surface is strong enough to handle mounted product and equipment.
- **DO NOT EXCEED MAXIMUM LISTED WEIGHT CAPACITY.**
- Always use an assistant or a mechanical lifting device to safely lift and position heavy products.
- Tighten screws firmly, but do not over tighten. Over tightening can cause product damage that greatly reduces the holding power.
- Keep a clear area and distance from moving parts when using the product.
- Use only as intended. Never stand, hang or climb on the product.
- Any attempts to reconstruct the construction or alterations of the given power unit and control box aren't allowed.
- This product may contain small items that could be a choking hazard if swallowed. Keep children away unless the product is intended for their use and all instructions and manuals are fully reviewed and understood by them.
- Check that the product is secure and safe to use at regular intervals (at least every three months).

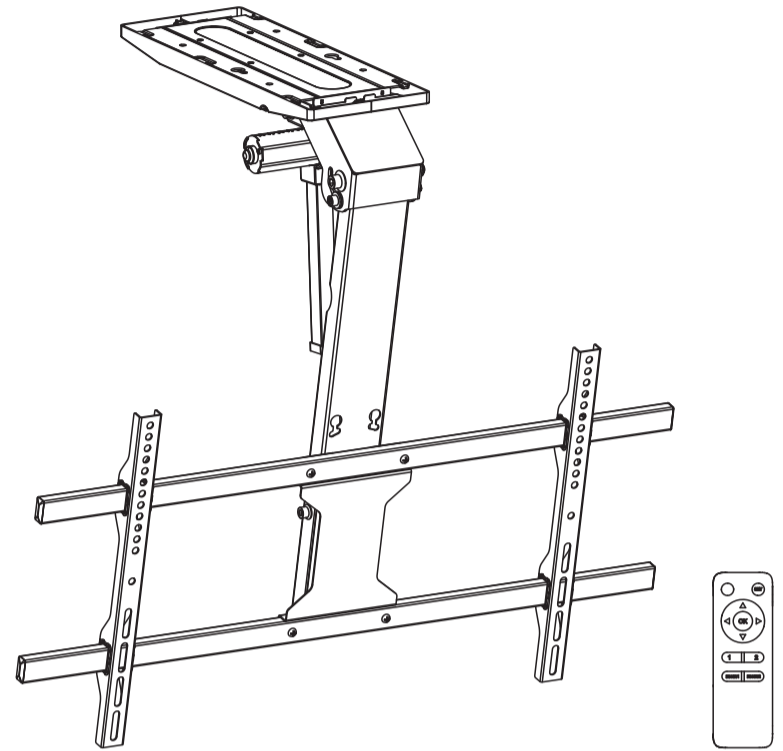
Other Cautions

- Don't clean the product with water while the power is still connected.
- Don't disassemble or replace components while the power is still connected.
- Never operate the system with a damaged cord or plug.
- Never operate the system if it's in moist environment or its electrical components have contact with liquids.
- If the control box makes unusual noise or smells, switch off the mains voltage immediately.

Disposal: The product with this mark indicates that this product shouldn't be disposed with other household wastes throughout the EU. To prevent possible harm to the environment or human health from uncontrolled waste disposal, recycle it responsibly to promote the sustainable reuse of material resources. To return your used device, please use the local recycle service or contact your point of purchase to withdraw the product.

LARGE SMART ELECTRIC TV CEILING MOUNT

for Flat & Pitched Ceilings


CPLB-M0748

 VESA Compatible
 200x100 200x200 300x200
 400x200 300x300 400x300
 600x200 400x400 600x300
 600x400 800x400

86"
 MAX
 FLAT/CURVED

45kg
 (99lbs)
 RATED
