

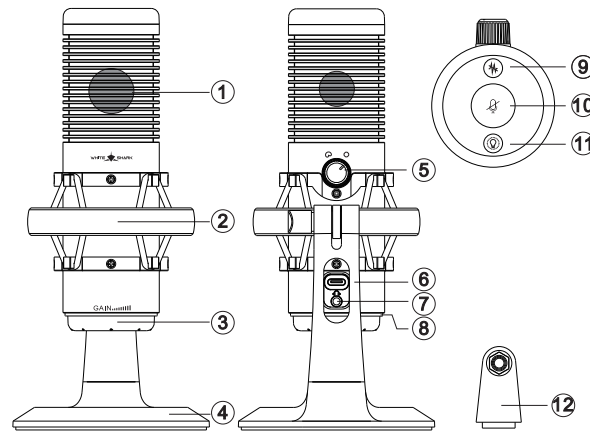
OVERVIEW

WHITE SHARK



EKTARA
PODCASTING MICROPHONE
Stream line

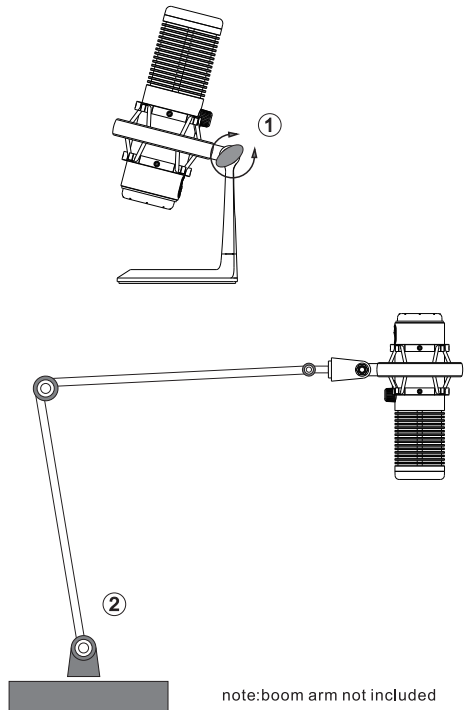
USER MANUAL



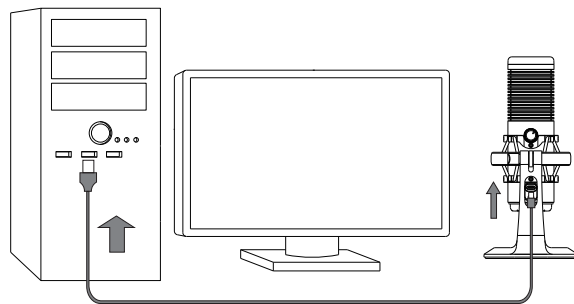
1.condenser mic	2.anti-shock mount	3.volume knob
4.stand base	5.polar pattern knob	6.type C port
7.earphone port	8.led indicator ring	9.noise suppressor
10.mute button	11.led lighting button	12.3/8",5/8" adaptor

MOUNT THE MICROPHONE

- 1.You can adjust the angle of microphone as you need.
- 2.You also can mount the microphone to the boom arm stand as drawing.(mount adaptor included)



CONNECT TO COMPUTER



- 1.Plug the microphone into USB socket of PC or Laptop.
- 2.Wait about one minute,microphone will install automatically.
- 3.Check the device manager of your computer,to make sure this microphone is recognized by computer.
- 4.Set this product to current default in the recording & playback device .

OPERATE MICROPHONE

POLAR PATTERN

- Cardioid mode:suitable for individual calls,gaming,streaming, voice over,podcasting,ASMR,vlogging,etc.
- Omni mode:suitable for business calls,group streaming,group voice over,multi-person podcasting,group music recording,etc.

VOLUME CONTROL

- Turn the volume knob to adjust the volume of recording as you need .

TOUCH SWITCH

- Mute:touch the key quickly to mute.LED indicator ring will change to red,and other light will be turned off at the same time.
- Noise suppress:touch the key one time, low environmental noise will be canceled.the LED indicator ring will blink.touch the key again,enter to default undamage sound mode.
- Light switch: touch the key to loop switch different lighting mode.

MONITOR EARPHONE

- To ensure this product is selected in the playback device of computer .
- Plug in a headphone with 3.5mm insert port(headphone is not included) .
- Adjust the monitor volume through the computer .

SPECIFICATION

MIC TYPE:condenser x2

SAMPLEING RATE:192KHz/24Bit

SENSITIVITY:-38+/-3dB

S/N RATIO:>85dB

POLAR PATTERNS:cardioid/omni

WORKING VOLTAGE:5V

WORKING CURRENT:250mA

FREQUENCY RESPONSE:20Hz~20KHz

DISTORTION:<2%

SYSTEM SUPPORT:Windows/MacOS/Android/IOS

PACKING LIST

- MICROPHONE - 1 pc.
- USB-C TO USB-A CABLE - 1 pc.
- MOUNT ADAPTOR - 1 pc.
- USER MANUAL - 1 pc.