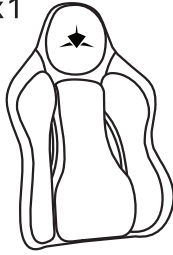
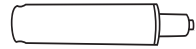
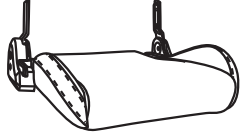
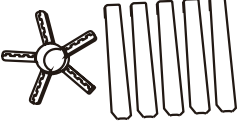
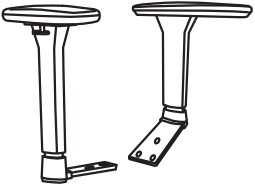

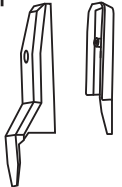

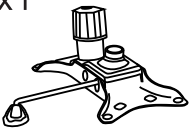





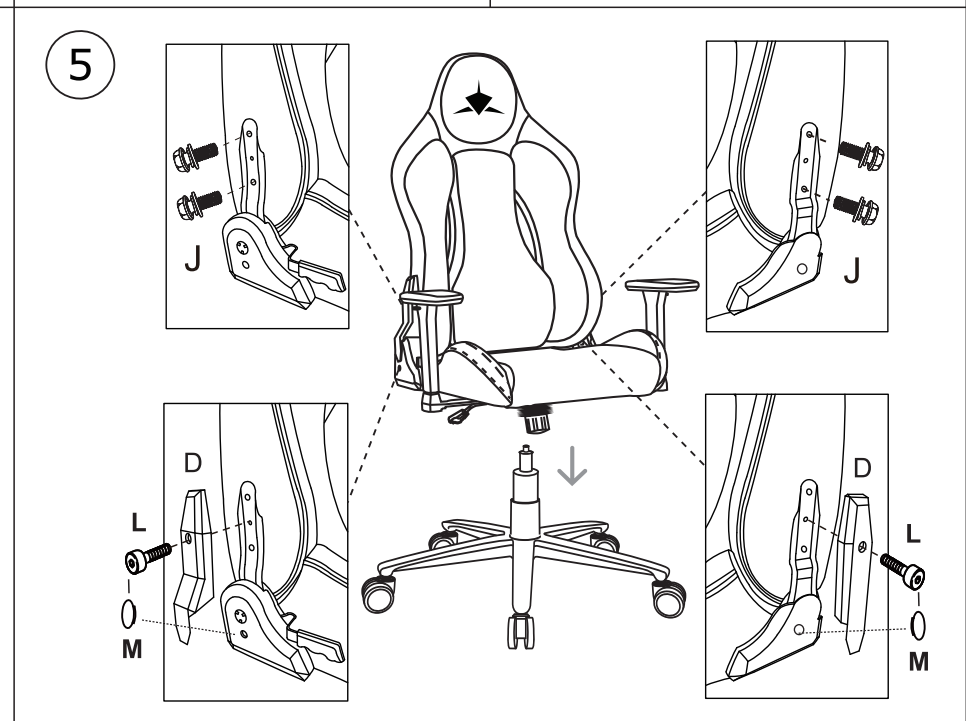
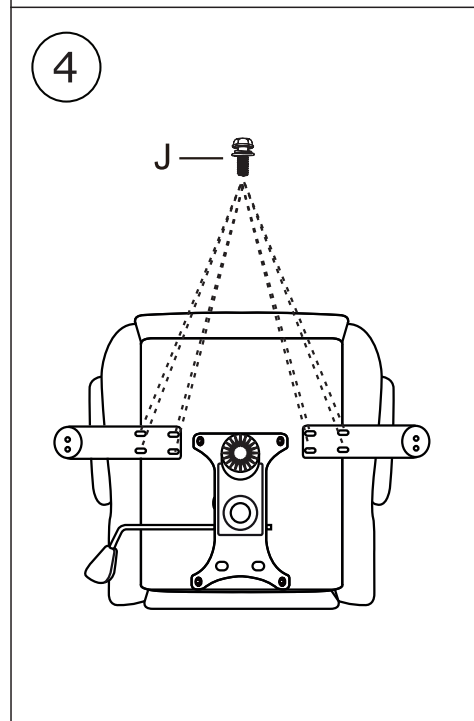
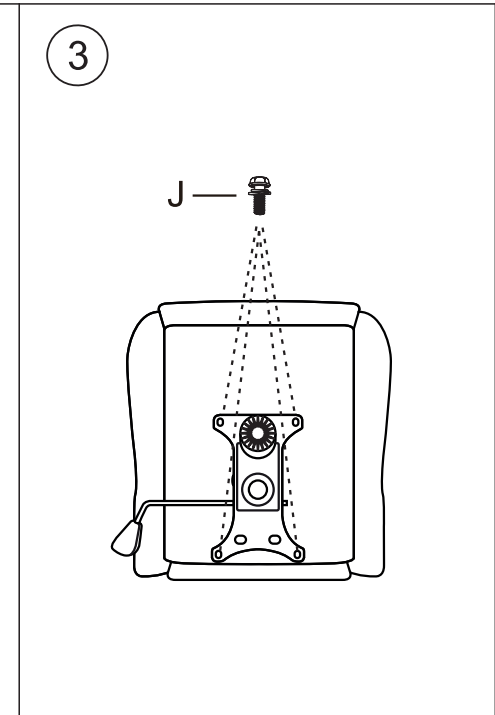
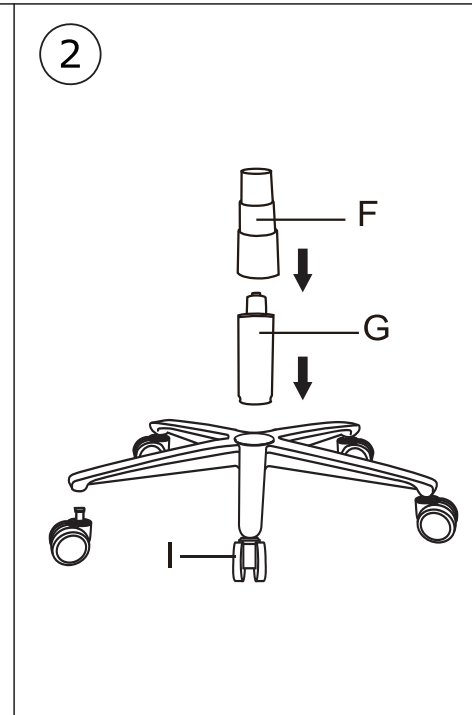
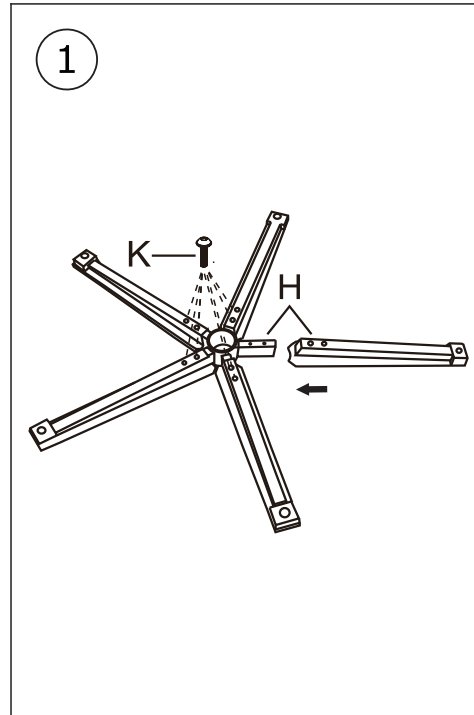


Ax1 	Gx1 
Bx1 	Hx1 
Cx1 	Ix5 
Dx1 	Jx16  M8x25 mm
Ex1 	Kx10  M6x16 mm
Fx1 	Lx2  M6x10 mm
	Mx4 
	Nx1  6 mm



6

